



PREFERRED ALUMINUM RAILING



Athens Level Rail Installation Instructions V2.0

CHECK ALL LOCAL BUILDING CODES BEFORE YOU BEGIN!

1

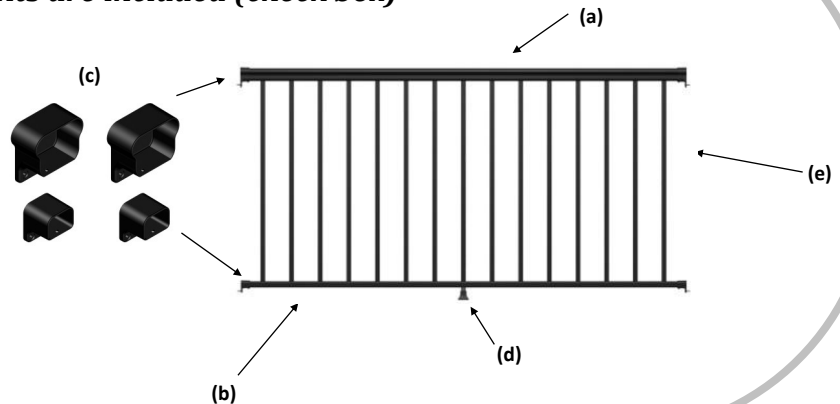
Gather necessary tools before installation (check box)

- | | | | |
|---|---|--|---|
| <input type="checkbox"/> Pencil | <input type="checkbox"/> Miter saw | <input type="checkbox"/> #2 Phillips bit | <input type="checkbox"/> <u>Recommended—Power lag</u> |
| <input type="checkbox"/> Tape measure | <input type="checkbox"/> Right angle driver | <input type="checkbox"/> Clamps | <input type="checkbox"/> <u>Recommended—De Walt DWARA 100 Impact Ready Right Angle Attachment</u> |
| <input type="checkbox"/> Level | <input type="checkbox"/> #1 Square bit | <input type="checkbox"/> Speed square | |
| <input type="checkbox"/> Cordless drill or impact | <input type="checkbox"/> #2 Square bit | <input type="checkbox"/> String line | |

2

Make sure the following components are included (check box)

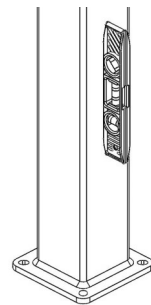
- 1—Top level rail w/ baluster connectors (a)
- 1—Bottom level rail w/ baluster connectors (b)
- 2—Athens Level Rail Kits (c)
- 1—Rail support w/ baluster (d)
- Balusters (10 for 4', 15 for 6', and 21 for 8') (e)
- #8x3/4" Pan Head Self Drilling Screws
- *Posts, caps, and bases are sold separately



3

Aluminum Post Installation

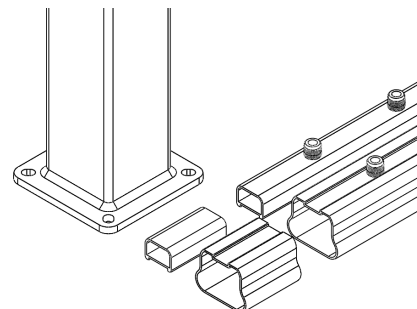
- Determine location of all posts prior to installing deck boards
- Add blocking where necessary to support proper post installation
- Use the composite shims included with your posts to make sure your posts are plumb
- Secure posts by first pre-drilling and then using 2-1/2" lag bolts with washers to fasten through the decking and into the framing structure/blocking to hold the posts in place. Cut or break off shims.



4

Measure & Cut Aluminum Rails

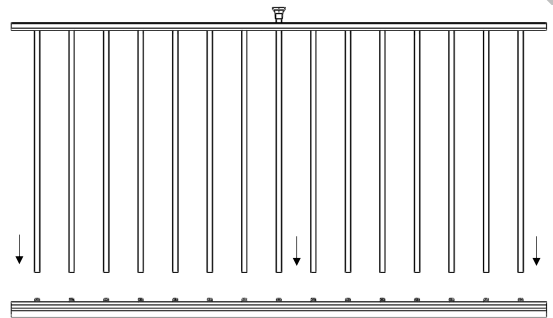
- Lay your bottom rail on deck centered between two posts.
- Mark a line where the post is on both sides of the rail
- Measure back 5/8" from the first line and mark a cut line on both ends
- Lay the top rail beside the bottom rail, lining up the baluster connectors
- Using the cut line from your bottom line mark a cut line on your top rail as well
- Use a miter saw and cut the lines you have marked



5

Railing Assembly

- Lay down a protective blanket or cardboard to protect the rail and place the top rail upside down on top of it
- We suggest clamping the top rail to the deck or a work bench to keep it stable
- Install the balusters on each of the baluster connectors making sure they are tight against the rail. Use a rubber mallet if needed to tap them in place.
- Install the bottom rail making sure all of the balusters line up. Use a rubber mallet to tap the rail onto the balusters
- Note: the extra connector on the underneath side of the rail, is for the rail support.



6

Attach Railing to Posts

- IF USING POST SLEEVE, PUT BASE TRIM ON NOW, BECAUSE IT IS A 1 PIECE TRIM. IF USING WELDED POST, BASE TRIM CAN BE ADDED AT THE END OF INSTALLATION
- Remove the clamps and flip the railing over
- Peel back the plastic protective cover from the top rail 3" to 4" on both ends
- Slide the top and bottom brackets onto the assembled railing.
- Place two spacer blocks beneath where the railing will sit between the posts. make them 2" - 3" in height depending on the desired rail height and local building code requirements.
- Place the center Rail Support in place and set your rail on the top of the spacer blocks
- Use the supplied screws and fasten your brackets to the posts locking your rail section into place. Do not forget the screw that attaches from the bottom up on the top brackets and the screw that attaches through the side of the bottom brackets.
- Adjust the Rail Support Baluster to brace the railing and use the supplied screw to hold it in place.
- Remove the protective film from the top of the top railing
- If you have a 2 piece post base cover, install those covering the base of the posts and use the supplied screws.
- To finish the installation place the post caps on the top of the posts, using construction adhesive if necessary to hold them in place.

